



اتصالات جوشی

اتصالات جوشی کاوه گستر مطابق با استانداردهای مختلف لوله های پلی اتیلن و به شرح جدول ذیل تولید می گردد.

The whole collection of Etesalat Kaveh Gostar products comply with the relevant international standards that lists as below:

DIN16963 - DIN19537

ISO8283 - ISO8780

استاندارد

	SDR 21	SDR17	SDR 13.6	SDR11
PE80	PN 6 -	PN8 S8	PN 10	PN12.5 S5
PE100	PN 8 -	PN10 S8	PN 12.5	PN16 S5
dn	Wall thickness	Wall thickness	Wall thickness	Wall thickness
40	2.1	2.6	3.2	3.9
50	2.6	3.2	3.9	4.9
63	3.2	4	5	6.1
75	3.8	4.8	5.9	7.2
90	4.6	5.7	7.1	8.7
110	5.6	7	8.6	10.5
125	6.3	7.9	9.7	12
160	8.1	10	12.4	15.4
200	10.1	12.5	15.5	19.2
225	11.4	14.1	17.5	21.6
250	12.5	15.6	19.4	23.9
315	15.8	19.7	24.4	30.1
355	17.8	22.2	27.5	33.9
400	20.2	25	31	38.2

$$SDR = \frac{d_n}{e_n}$$

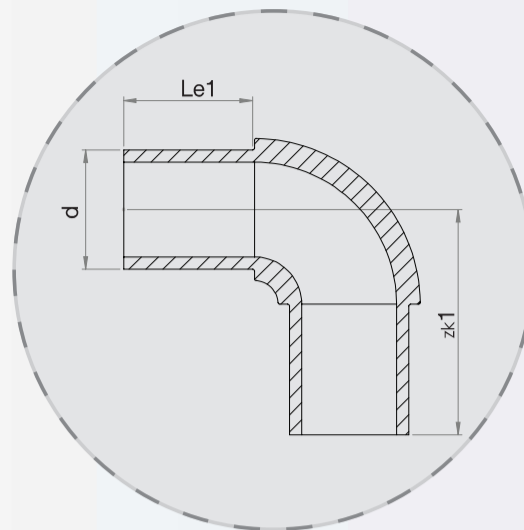
d_n = Nominal Diameter
 e_n = Nominal Thickness

PN: Nominal pressure rating at 20 c° for fluids
S : Series number for gas



Elbow 90°

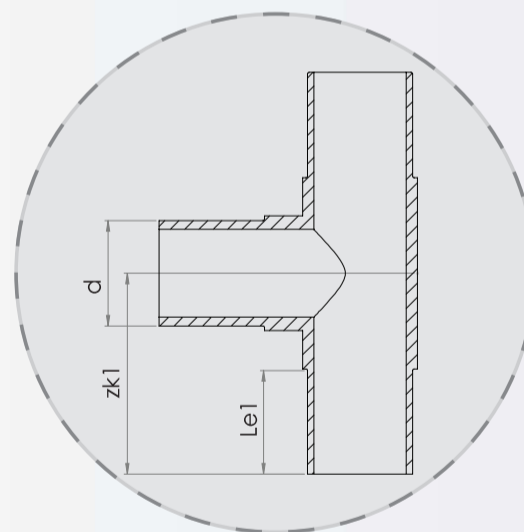
زانو ۹۰°



d	zk1min	Le1min	code	(SDR) e AVG			
				21	17	13.6	11
40	40	10	E90-040-040	2.1	2.6	3.2	3.9
50	50	12	E90-050-050	2.6	3.2	3.9	4.9
63	63	16	E90-063-063	3.2	4	5	6.1
75	75	19	E90-075-075	3.8	4.8	5.9	7.2
90	90	22	E90-090-090	4.6	5.7	7.1	8.7
110	110	28	E90-110-110	5.6	7	8.6	10.5
125	125	32	E90-125-125	6.3	7.9	9.7	12
160	145	40	E90-160-160	8.1	10	12.4	15.4
200	170	50	E90-200-200	10.1	12.5	15.5	19.2
250	220	60	E90-250-250	12.5	15.6	19.4	23.9

Tee 90°

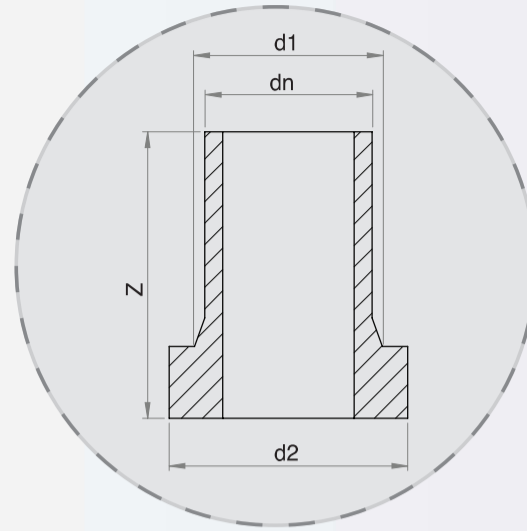
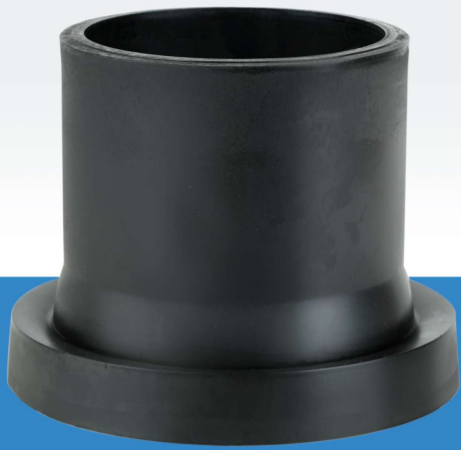
سه راہی ۹۰°



d	zk1min	Le1min	code	(SDR) e AVG			
				21	17	13.6	11
40	40	10	T90-040-040	2.1	2.6	3.2	3.9
50	50	12	T90-050-050	2.6	3.2	3.9	4.9
63	63	16	T90-063-063	3.2	4	5	6.1
75	75	19	T90-075-075	3.8	4.8	5.9	7.2
90	90	22	T90-090-090	4.6	5.7	7.1	8.7
110	110	28	T90-110-110	5.6	7	8.6	10.5
125	125	32	T90-125-125	6.3	7.9	9.7	12
160	145	40	T90-160-160	8.1	10	12.4	15.4
200	170	50	T90-200-200	10.1	12.5	15.5	19.2
250	220	60	T90-250-250	12.5	15.6	19.4	23.9

Stub end long

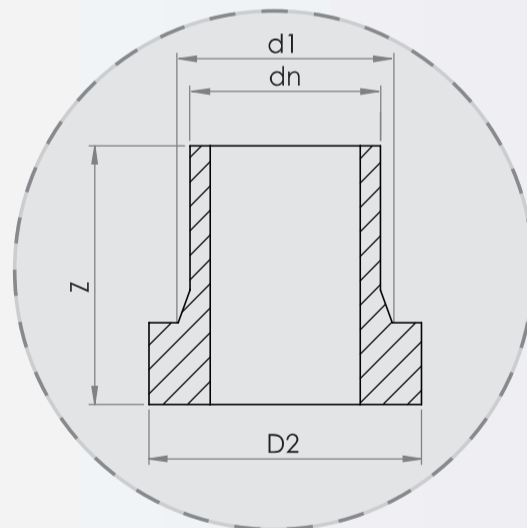
فلنج جوشی پایه بلند



dn	z	d1	d2	Code	(SDR) e AVG			
					21	17	13.6	11
40	85	50	78	SEL-000-040	2.1	2.6	3.2	3.9
50	85	61	88	SEL-000-050	2.6	3.2	3.9	4.9
63	95	75	102	SEL-000-063	3.2	4	5	6.1
75	125	89	122	SEL-000-075	3.8	4.8	5.9	7.2
90	140	105	138	SEL-000-090	4.6	5.7	7.1	8.7
110	160	125	156	SEL-000-110	5.6	7	8.6	10.5
125	170	132	158	SEL-000-125	6.3	7.9	9.7	12
160	200	175	212	SEL-000-160	8.1	10	12.4	15.4
200	200	232	268	SEL-000-200	10.1	12.5	15.5	19.2
225	200	235	268	SEL-000-225	11.4	14.1	17.5	21.6
250	-	285	320	SEL-000-250	12.5	15.6	19.4	23.9
315	-	335	370	SEL-000-315	15.8	19.7	24.4	30.1
355	-	373	430	SEL-000-355	17.8	22.2	27.5	33.9
400	135	427	482	SEL-000-400	20.2	25	31	38.2

Stub end Short

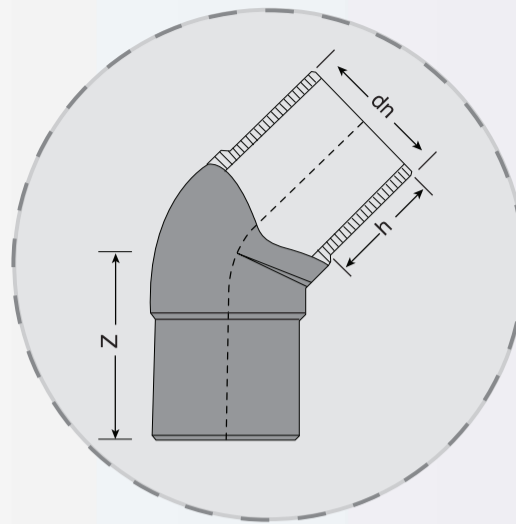
فلنج جوشی پایه کوتاه



dn	z	d1	d2	Code	e (SDR)			
					PE 80/ PE 100			
					21	17	13.6	11
40	50	50	78	SES-000-040	2.1	2.6	3.2	3.9
50	50	61	88	SES-000-050	2.6	3.2	3.9	4.9
63	50	75	102	SES-000-063	3.2	4	5	6.1
75	50	89	122	SES-000-075	3.8	4.8	5.9	7.2
90	80	105	138	SES-000-090	4.6	5.7	7.1	8.7
110	80	125	156	SES-000-110	5.6	7	8.6	10.5
125	80	132	158	SES-000-125	6.3	7.9	9.7	12
160	80	175	212	SES-000-160	8.1	10	12.4	15.4
200	100	232	268	SES-000-200	10.1	12.5	15.5	19.2
225	100	235	268	SES-000-225	11.4	14.1	17.5	21.6
250	100	285	320	SES-000-250	12.5	15.6	19.4	23.9
315	100	335	370	SES-000-315	15.8	19.7	24.4	30.1
355	120	373	430	SES-000-355	17.8	22.2	27.5	33.9
400	140	428	495	SES-000-400	20.2	25	31	38.2

Elbow 45°

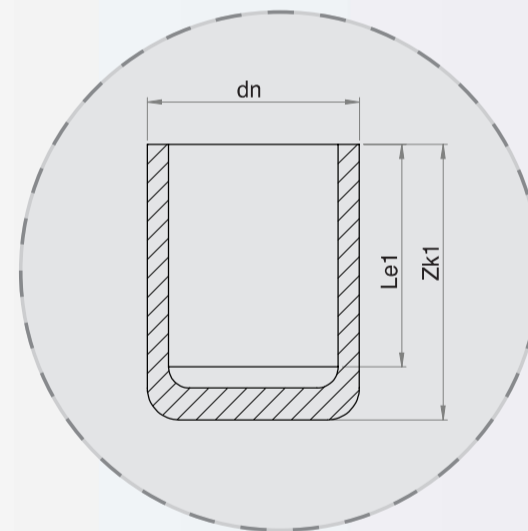
زانو ۴۵°



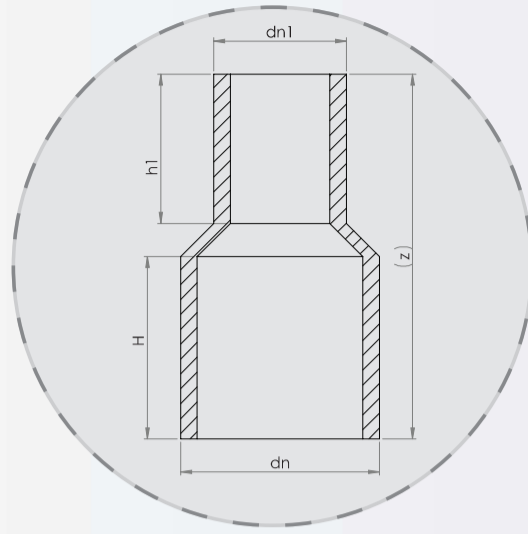
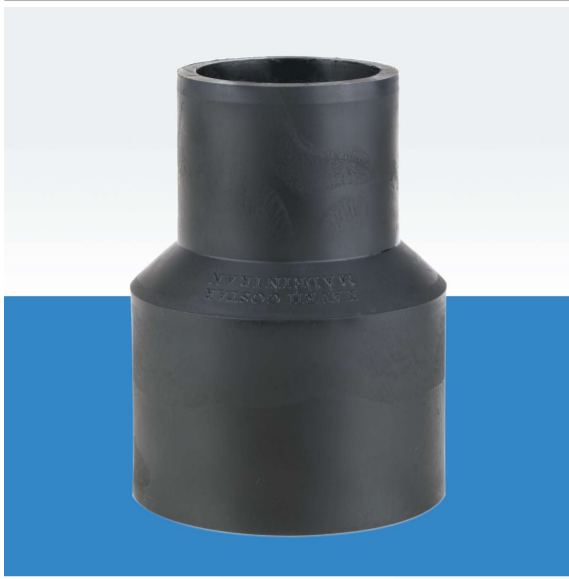
d	zk _{2min}	Le _{1min}	code	(SDR) e AVG			
				21	17	13.5	11
63	41	16	E45-063-063	3.2	4	5	6.1
75	49	19	E45-075-075	3.8	4.8	5.9	7.2
90	57	22	E45-090-090	4.6	5.7	7.1	8.7
110	70	28	E45-110-110	5.6	7	8.6	10.5
125	79	32	E45-125-125	6.3	7.9	9.7	12
160	95	40	E45-160-160	8.1	10	12.4	15.4
200	110	50	E45-200-200	10.1	12.5	15.5	19.2
250	156	60	E45-250-250	12.5	15.6	19.4	23.9

Cap

کپ



dn	zk _{1min}	Le _{1min}	code	(SDR) e AVG			
				21	17	13.6	11
40	40	10	E90-040-040	2.1	2.6	3.2	3.9
50	50	12	E90-050-050	2.6	3.2	3.9	4.9
63	80	16	E90-063-063	3.2	4	5	6.1
75	88	19	E90-075-075	3.8	4.8	5.9	7.2
90	100	22	E90-090-090	4.6	5.7	7.1	8.7
110	119	28	E90-110-110	5.6	7	8.6	10.5
125	123	32	E90-125-125	6.3	7.9	9.7	12
160	134	40	E90-160-160	8.1	10	12.4	15.4
200	164	50	E90-200-200	10.1	12.5	15.5	19.2
250	175	60	E90-250-250	12.5	15.6	19.4	23.9

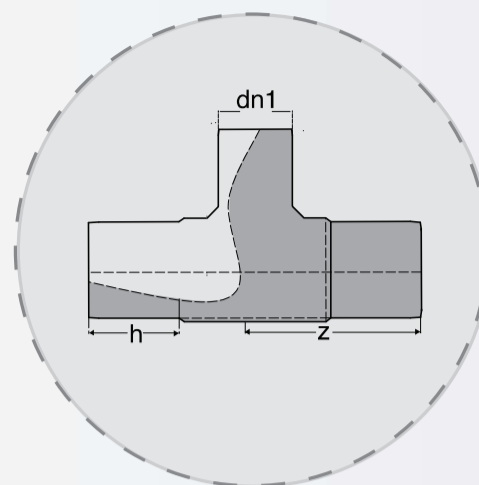


d	z	h	h1	code	(SDR) e AVG				(SDR) e ₁ AVG			
					21	17	13.6	11	21	17	13.6	11
40 x 32	40	10	8	R-040-032	2.1	2.6	3.2	3.9	1.8	2.1	2.6	3.2
50 x 32	50	12	8	R-050-032	2.6	3.2	3.9	4.9	1.8	2.1	2.6	3.2
50 x 40	50	12	10	R-050-040	2.6	3.2	3.9	4.9	2.1	2.6	3.2	3.9
63 x 32	60	16	8	R-063-032	3.2	4	5	6.1	1.8	2.1	2.6	3.2
63 x 40	60	16	10	R-063-040	3.2	4	5	6.1	2.1	2.6	3.2	3.9
63 x 50	60	16	12	R-063-050	3.2	4	5	6.1	2.6	3.2	3.9	4.9
75 x 40	65	19	10	R-075-040	3.8	4.8	5.9	7.2	2.1	2.6	3.2	3.9
75 x 50	65	19	12	R-075-050	3.8	4.8	5.9	7.2	2.6	3.2	3.9	4.9
75 x 63	65	19	16	R-075-063	3.8	4.8	5.9	7.2	3.2	4	5	6.1
90 x 50	75	22	12	R-090-050	4.6	5.7	7.1	8.7	2.6	3.2	3.9	4.9
90 x 63	75	22	16	R-090-063	4.6	5.7	7.1	8.7	3.2	4	5	6.1
90 x 75	75	22	19	R-090-075	4.6	5.7	7.1	8.7	3.8	4.8	5.9	7.2
110 x 63	90	28	16	R-110-063	5.6	7	8.6	10.5	3.2	4	5	6.1
110 x 75	90	28	19	R-110-075	5.6	7	8.6	10.5	3.8	4.8	5.9	7.2
110 x 90	90	28	22	R-110-090	5.6	7	8.6	10.5	4.6	5.7	7.1	8.7
125 x 75	100	32	19	R-125-075	6.3	7.9	9.7	12	3.8	4.8	5.9	7.2
125 x 90	100	32	22	R-125-090	6.3	7.9	9.7	12	4.6	5.7	7.1	8.7
125 x 110	100	32	28	R-125-110	6.3	7.9	9.7	12	5.6	7	8.6	10.5
160 x 110	120	40	28	R-160-110	8.1	10	12.4	15.4	5.6	7	8.6	10.5
160 x 125	120	40	32	R-160-125	8.1	10	12.4	15.4	6.3	7.9	9.7	12
160 x 140	120	40	35	R-160-140	8.1	10	12.4	15.4	7.1	8.8	10.9	13.4
200 x 140	135	50	35	R-200-140	10.1	12.5	15.5	19.1	7.1	8.8	10.9	13.4
200 x 160	135	50	40	R-200-160	10.1	12.5	15.5	19.1	8.1	10	12.4	15.4
200 x 180	135	50	45	R-200-180	10.1	12.5	15.5	19.1	9.1	11.3	14	17.3
250 x 180	175	60	45	R-250-180	12.5	15.6	19.4	23.9	9.1	11.3	14	17.3
250 x 200	175	60	50	R-250-200	12.5	15.6	19.4	23.9	10.1	12.5	15.5	19.2
250 x 225	175	60	55	R-250-225	12.5	15.6	19.4	23.9	11.4	14.1	17.5	21.6



Reducing Tee 90°

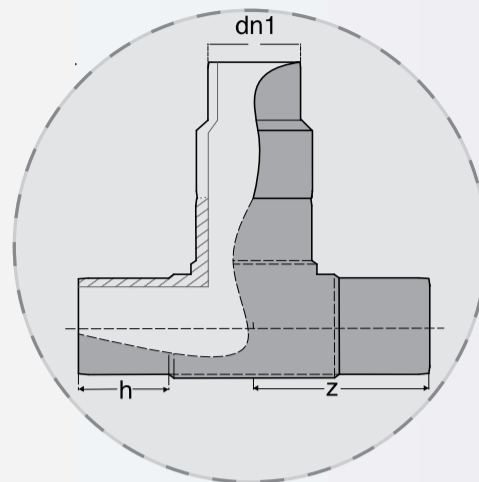
سه راہی تبدیلی جوشی ۹۰°



d	z	h	h1	Code	(SDR) e AVG				(SDR) e ₁ AVG			
					21	17	13.6	11	21	17	13.6	11
40 x 32	40	10	8	R-040-032	2.1	2.6	3.2	3.9	-	2.1	2.6	3.2
50 x 32	50	12	8	R-050-032	2.6	3.2	3.9	4.9	-	2.1	2.6	3.2
50 x 40	50	12	10	R-050-040	2.6	3.2	3.9	4.9	2.1	2.6	3.2	3.9
63 x 32	60	16	8	R-063-032	3.2	4	5	6.1	-	2.1	2.6	3.2
63 x 40	60	16	10	R-063-040	3.2	4	5	6.1	2.1	2.6	3.2	3.9
63 x 50	60	16	12	R-063-050	3.2	4	5	6.1	2.6	3.2	3.9	4.9
75 x 40	65	19	10	R-075-040	3.8	4.8	5.9	7.2	2.1	2.6	3.2	3.9
75 x 50	65	19	12	R-075-050	3.8	4.8	5.9	7.2	2.6	3.2	3.9	4.9
75 x 63	65	19	16	R-075-063	3.8	4.8	5.9	7.2	3.2	4	5	6.1
90 x 50	75	22	12	R-090-050	4.6	5.7	7.1	8.7	2.6	3.2	3.9	4.9
90 x 63	75	22	16	R-090-063	4.6	5.7	7.1	8.7	3.2	4	5	6.1
90 x 75	75	22	19	R-090-075	4.6	5.7	7.1	8.7	3.8	4.8	5.9	7.2
110 x 63	90	28	16	R-110-063	5.6	7	8.6	10.5	3.2	4	5	6.1
110 x 75	90	28	19	R-110-075	5.6	7	8.6	10.5	3.8	4.8	5.9	7.2
110 x 90	90	28	22	R-110-090	5.6	7	8.6	10.5	4.6	5.7	7.1	8.7
125 x 75	100	32	19	R-125-075	6.3	7.9	9.7	12	3.8	4.8	5.9	7.2
125 x 90	100	32	22	R-125-090	6.3	7.9	9.7	12	4.6	5.7	7.1	8.7
125 x 110	100	32	28	R-125-110	6.3	7.9	9.7	12	5.6	7	8.6	10.5
160 x 90	120	40	28	R-160-0 90	8.1	10	12.4	15.4	5.6	7	8.6	10.5
160 x 110	120	40	32	R-160-110	8.1	10	12.4	15.4	6.3	7.9	9.7	12
160 x 125	120	40	35	R-160-125	8.1	10	12.4	15.4	7.1	8.8	10.9	13.4
200 x 110	135	50	35	R-200-110	10.1	12.5	15.5	19.1	7.1	8.8	10.9	13.4
200 x 125	135	50	40	R-200-125	10.1	12.5	15.5	19.1	8.1	10	12.4	15.4
200 x 160	135	50	45	R-200-160	10.1	12.5	15.5	19.1	9.1	11.3	14	17.3
250 x 160	175	60	45	R-250-160	12.5	15.6	19.4	23.9	9.1	11.3	14	17.3
250 x 200	175	60	50	R-250-200	12.5	15.6	19.4	23.9	10.1	12.5	15.5	19.2
250 x 225	175	60	55	R-250-225	12.5	15.6	19.4	23.9	11.4	14.1	17.5	21.6

Reducing Tee 90°

سه راهی تبدیلی جوشی ۹۰°



d	z	h	h1	code	(SDR) e AVG				(SDR) e _r AVG			
					21	17	13.6	11	21	17	13.6	11
40 x 32	40	10	8	R-040-032	2.1	2.6	3.2	3.9	-	2.1	2.6	3.2
50 x 32	50	12	8	R-050-032	2.6	3.2	3.9	4.9	-	2.1	2.6	3.2
50 x 40	50	12	10	R-050-040	2.6	3.2	3.9	4.9	2.1	2.6	3.2	3.9
63 x 32	60	16	8	R-063-032	3.2	4	5	6.1	-	2.1	2.6	3.2
63 x 40	60	16	10	R-063-040	3.2	4	5	6.1	2.1	2.6	3.2	3.9
63 x 50	60	16	12	R-063-050	3.2	4	5	6.1	2.6	3.2	3.9	4.9
75 x 40	65	19	10	R-075-040	3.8	4.8	5.9	7.2	2.1	2.6	3.2	3.9
75 x 50	65	19	12	R-075-050	3.8	4.8	5.9	7.2	2.6	3.2	3.9	4.9
75 x 63	65	19	16	R-075-063	3.8	4.8	5.9	7.2	3.2	4	5	6.1
90 x 50	75	22	12	R-090-050	4.6	5.7	7.1	8.7	2.6	3.2	3.9	4.9
90 x 63	75	22	16	R-090-063	4.6	5.7	7.1	8.7	3.2	4	5	6.1
90 x 75	75	22	19	R-090-075	4.6	5.7	7.1	8.7	3.8	4.8	5.9	7.2
110 x 63	90	28	16	R-110-063	5.6	7	8.6	10.5	3.2	4	5	6.1
110 x 75	90	28	19	R-110-075	5.6	7	8.6	10.5	3.8	4.8	5.9	7.2
110 x 90	90	28	22	R-110-090	5.6	7	8.6	10.5	4.6	5.7	7.1	8.7
125 x 75	100	32	19	R-125-075	6.3	7.9	9.7	12	3.8	4.8	5.9	7.2
125 x 90	100	32	22	R-125-090	6.3	7.9	9.7	12	4.6	5.7	7.1	8.7
125 x 110	100	32	28	R-125-110	6.3	7.9	9.7	12	5.6	7	8.6	10.5
160 x 90	120	40	28	R-160-090	8.1	10	12.4	15.4	5.6	7	8.6	10.5
160 x 110	120	40	32	R-160-110	8.1	10	12.4	15.4	6.3	7.9	9.7	12
160 x 125	120	40	35	R-160-125	8.1	10	12.4	15.4	7.1	8.8	10.9	13.4
200 x 110	135	50	35	R-200-110	10.1	12.5	15.5	19.1	7.1	8.8	10.9	13.4
200 x 125	135	50	40	R-200-125	10.1	12.5	15.5	19.1	8.1	10	12.4	15.4
200 x 160	135	50	45	R-200-160	10.1	12.5	15.5	19.1	9.1	11.3	14	17.3

PE/ Brass Transition Fittinon Fittings

تبدیل پلی اتیلن به برنجی



d	Code	Z	e (SDR)			
			PE 80/ PE 100			
			21	17	13.6	11
63 x 1 1/2	PEB-063-112	140	3.2	4	5	6.1
63 x 2	PEB-063-002	140	3.2	4	5	6.1